

RD-FLOAT CHECK VALVE

RDFCV

Roof Drain Float Check Valve



INSTALLATION

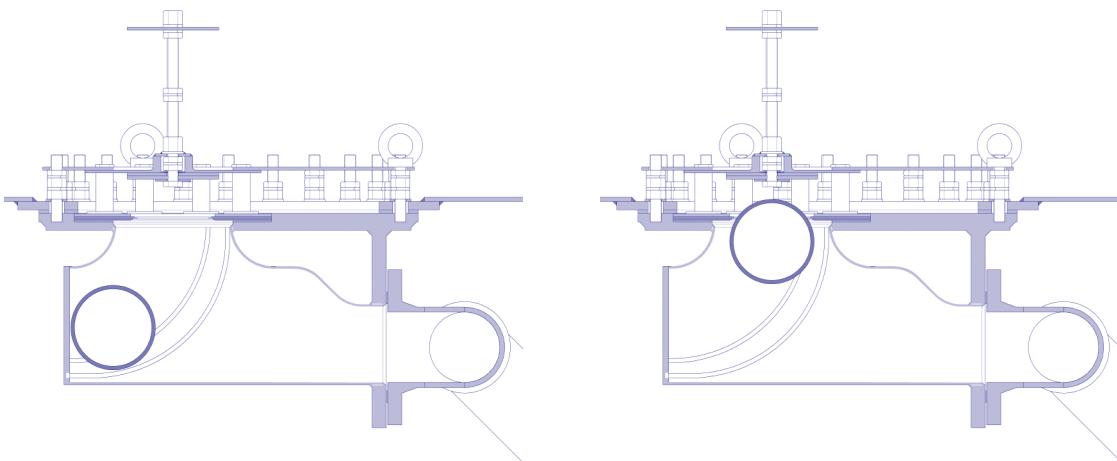
RDFCV is a unique roof drain float check valve allowing for a completely drained and residue-free drain system.



MANUFACTURING

- No flow reduction of rain water
- Immediate stop of liquid back-flow
- Zero pressure needed to close the valve
- Corrosion and hydrocarbon resistant materials
- Residue-free drainage of the roof
- Each valve is tested with kerosene to prove zero leakage
- Filter allows small debris to pass while stopping larger objects
- Easy Installation
- Available in DN80/3", DN100/4" and DN150/6"

DESIGN



R&D

WWW.WLI-ENGINEERING.COM

ADDRESS

World Link Industry Engineering GmbH
Passower Chaussee 111 Gebäude H 122
DE-16303 Schwedt/Oder
Germany

CONTACT

Tel: + 49.172.3691990
E-Mail: info@wli-engineering.com

Version: 2018-08-EN