

R D - F C V

RDFCV

Roof Drain Float Check Valve



Environmental
Protection Technology for
Storage Tanks GmbH

INSTALLATION

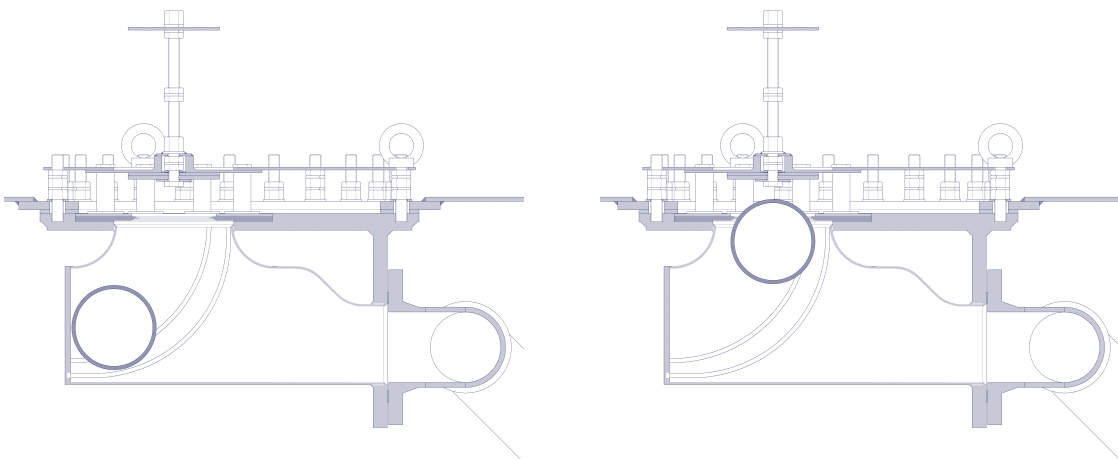
RDFCV is a unique roof drain float check valve allowing for a completely drained and residue-free drain system.

MANUFACTURING



DESIGN

R&D



- No flow reduction of rain water
- Immediate stop of liquid back-flow
- Zero pressure needed to close the valve
- Corrosion and hydrocarbon resistant materials
- Residue-free drainage of the roof
- Each valve is tested with kerosene to prove zero leakage
- Filter allows small debris to pass while stopping larger objects
- Easy Installation
- Available in DN80/3", DN100/4" and DN150/6"

WWW.EPT-STORAGETANKS.COM

ADDRESS

Passower Chaussee 111, Gebäude H 122
DE-16303 Schwedt/Oder
Germany

CONTACT

Tel: +49 333 283 43034
E-Mail: info@ept-storagetanks.com

Version: 2018-08-EN