

RD-HJ

Hybrid Joints | Four | Floating Suction

Roof Drain Hybrid Joints

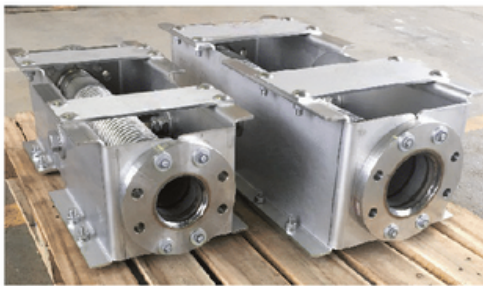


Environmental
Protection Technology for
Storage Tanks GmbH

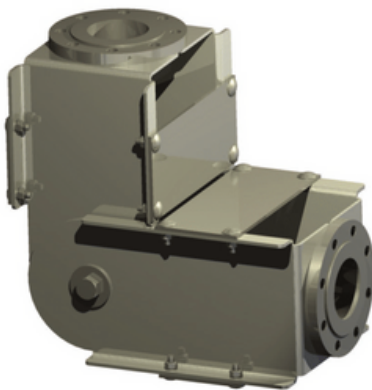
INSTALLATION

RD-HJ provides the advantages of a pipe drain system without the disadvantages of swivel joints. The layout of each PURE roof drain system always ensures positive drainage at all filling levels.

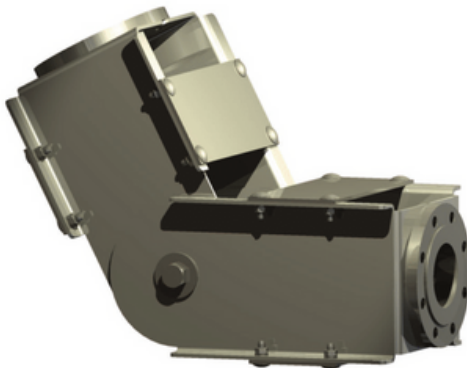
MANUFACTURING



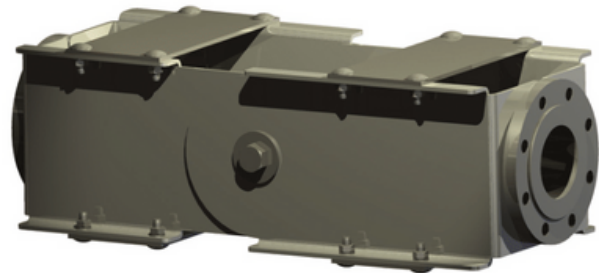
DESIGN



R&D



- Pressure-tested to withstand external pressures greater than 2,5 bar
- Standard joint design to cope with high filling rates and heavy product turbulences
- Mountable to rotated sump and tank outlet flanges without sacrificing the hose integrity
- No dynamic sealing required
- Maintenance-free
- No low and high points
- Excellent chemical resistance to virtually all products
- Made of AISI 316L to cope with salt water in crude oil tanks
- Built-in rotation limit to prevent stresses on the hose
- Easy installation with minimal down-time
- Available in DN80/3", DN100/4" and DN150/6"



WWW.EPT-STORAGETANKS.COM

ADDRESS

Passower Chaussee 111, Gebäude H 122
DE-16303 Schwedt/Oder
Germany

CONTACT

Tel: +49 333 283 43034
E-Mail: info@ept-storagetanks.com

Version: 2018-08-EN