

INSTALLATION

The EPT IFR is the state-of-the-art GRP full-contact internal floating roof built inside the tank featuring latest structural and design innovations unseen by any other design available on the market.

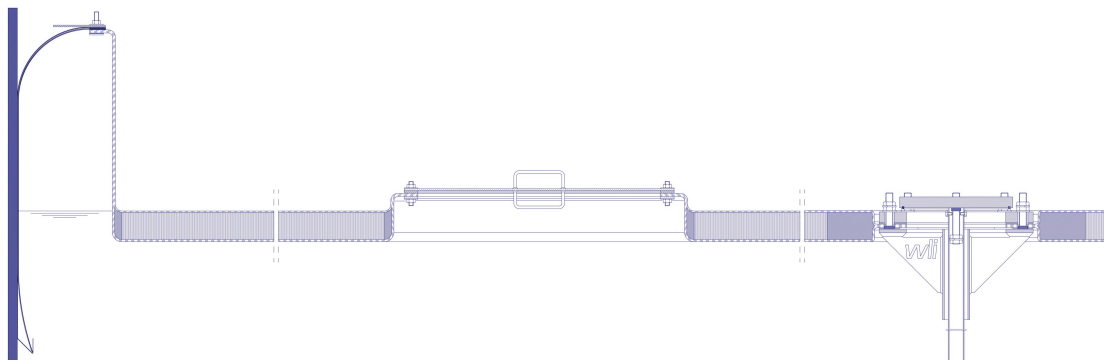
- Excellent return on investment with a lifetime expectancy **equal to the tank** without maintenance
- Full-contact design without pontoons
- Seamless unsinkable construction
- Excellent chemical resistance to virtually all products including electrically conductive liquids
- Anti-static
- 24"-manway sufficient for construction materials
- Short installation time
- Strong flexible unibody construction suitable for harsh operational conditions

MANUFACTURING



DESIGN

R&D



WWW.EPT-STORAGETANKS.COM

ADDRESS

Passower Chaussee 111, Gebäude H 122
DE-16303 Schwedt/Oder
Germany

CONTACT

Tel: +49 333 283 43034
E-Mail: info@ept-storagetanks.com